
Comfort-Cire® **Century**®

SE Series

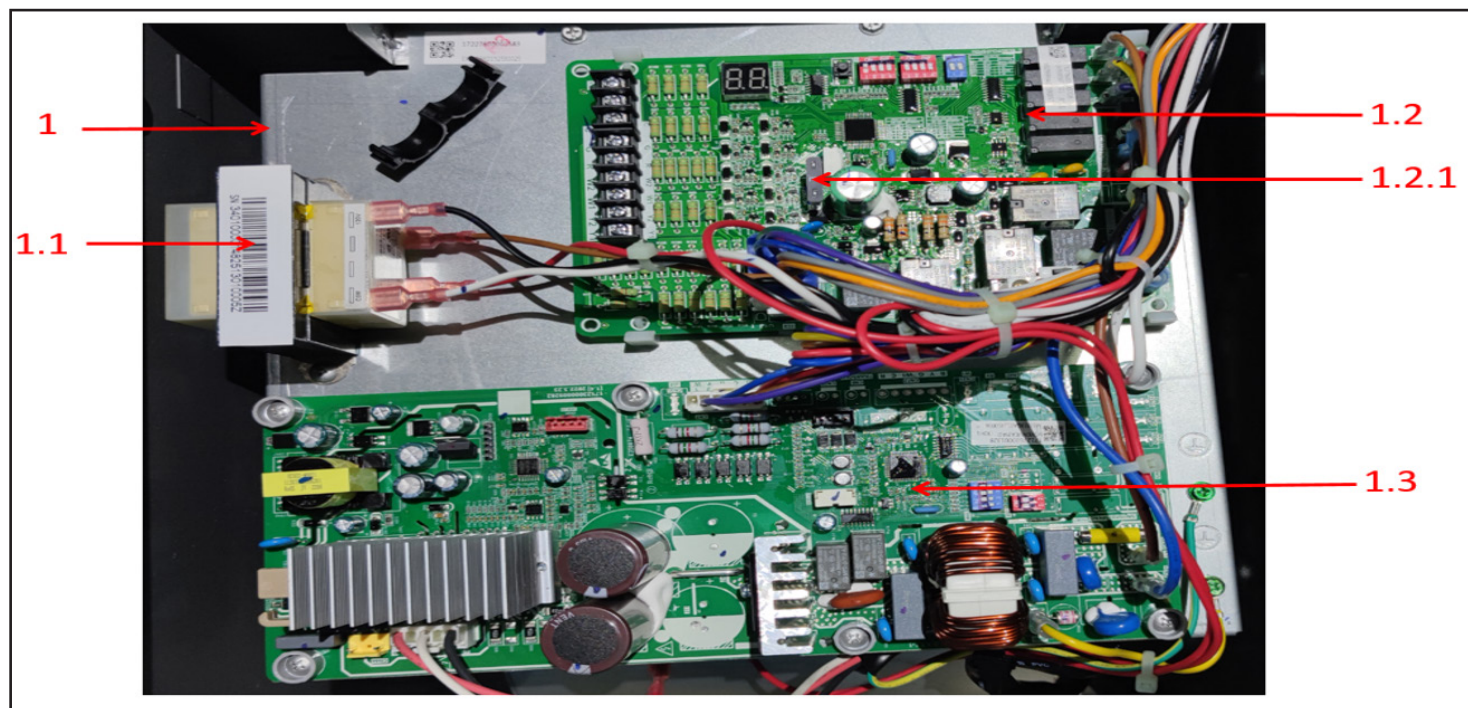
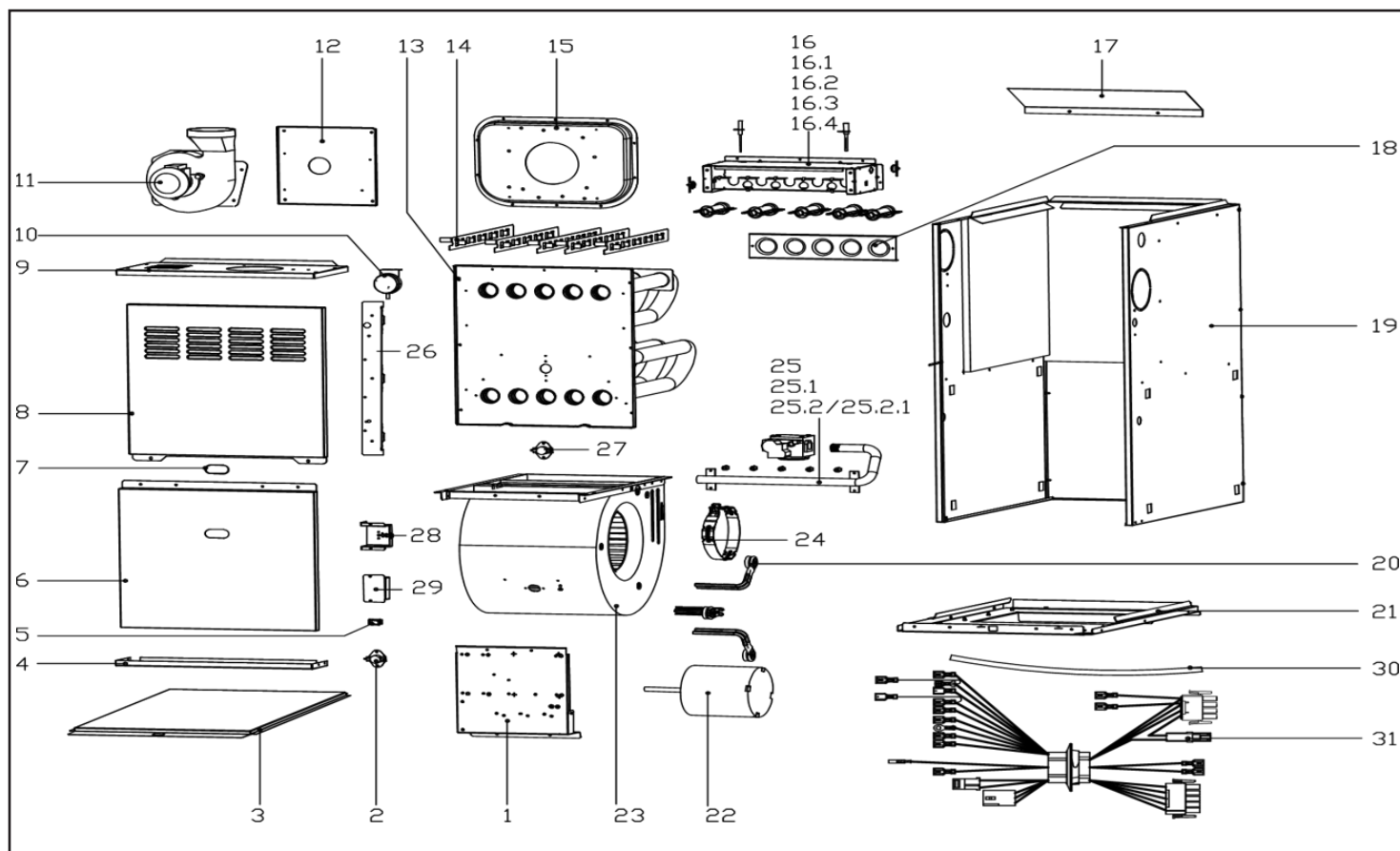
Single-Stage Multi-Position Gas Furnace
80%

GFM80S080B4S1A

Parts List



MARS®



| EX_ID | Spare Parts Code | Part Name(EN) | Qty. | Recommend store spare parts |
|--------|------------------|--|------|-----------------------------|
| 1 | 17227600001583 | E-part box assembly | 1 | |
| 1.1 | 11203103000197 | Linear Transformer | 1 | YES |
| 1.2 | 17127600000708 | Tie-in assembly of main control board | 1 | |
| 1.2.1 | 11203001001353 | Fuse | 1 | YES |
| 1.3 | 17127600A00062 | Gas furnace, Main control board assembly | 1 | YES |
| 2 | 17400513002815 | Temperature switch | 1 | YES |
| 3 | 12227600000102 | Sealing plate | 1 | |
| 4 | 12227600002721 | Support plate assembly | 1 | |
| 5 | 17427600001148 | Door switch | 1 | YES |
| 6 | 12227600002088 | Cover | 1 | |
| 7 | 12127600000009 | Plastic cover | 1 | |
| 8 | 12227600002073 | Cover | 1 | |
| 9 | 12227600002163 | Cover assembly | 1 | |
| 10 | 17400515000421 | Air switch | 1 | YES |
| 11 | 17400801000223 | Exhaust fan ass'y | 1 | YES |
| 12 | 12227600000243 | Exhaust baffles | 1 | |
| 13 | 15727600000006 | Heat exchanger ass'y | 1 | |
| 14 | 12227600000058 | Spoiler | 5 | |
| 15 | 12227600000239 | Gas-collecting hood | 1 | |
| 16 | 12227600002761 | Burner Components | 1 | |
| 16.1 | 11201006000010 | Special sensor | 1 | YES |
| 16.2 | 17427600000007 | Firing pin | 1 | YES |
| 16.3 | 17400513000045 | Thermostat | 2 | YES |
| 16.4 | 17427600000005 | Burner | 5 | |
| 17 | 12227600000022 | Air channel damper | 1 | |
| 18 | 12227600000224 | Deflector | 1 | |
| 19 | 12227600002094 | Cabinet Components | 1 | |
| 20 | 12223000001934 | Motor bracket ass'y I | 3 | |
| 21 | 12227600000221 | Partition board ass'y | 1 | |
| 22 | 11002015016399 | Brushless DC Motor | 1 | YES |
| 23 | 12200102000009 | Centrifugal fan | 1 | YES |
| 24 | 12223000001992 | Supporter of fan motor | 1 | |
| 25 | 15427600000101 | Gas Components | 1 | |
| 25.1 | 17427600001389 | Gas Valve | 1 | YES |
| 25.2 | 15427600000107 | Gas Components | 1 | |
| 25.2.1 | 15527600000003 | Copper nozzle | 5 | YES |
| 26 | 12227600002720 | Support plate assembly | 2 | |
| 28 | 12227600000818 | Junction box | 1 | |
| 29 | 12227600000817 | Junction box cover | 1 | |
| 30 | 12627600000010 | Silicone tube | 1 | |
| 31 | 17401203023509 | Strong electric cable group | 1 | |
| 31 | 17401203023509 | Strong electric cable group | 1 | |

Due to ongoing product improvements, specifications and dimensions are subject to change and correction without notice or incurring obligations. Determining the application and suitability for use of any product is the responsibility of the installer. Additionally, the installer is responsible for verifying dimensional data on the actual product prior to beginning any installation preparations.

Incentive and rebate programs have precise requirements as to product performance and certification. All products meet applicable regulations in effect on date of manufacture; however, certifications are not necessarily granted for the life of a product. Therefore, it is the responsibility of the applicant to determine whether a specific model qualifies for these incentive/rebate programs.



1900 Wellworth Ave., Jackson, MI 49203 • Ph. 517-787-2100 • www.marsdelivers.com

